

A Ø8x46  
8 x

B Ø14x17  
8 x

C M8x10  
8 x

D M8x50  
6 x

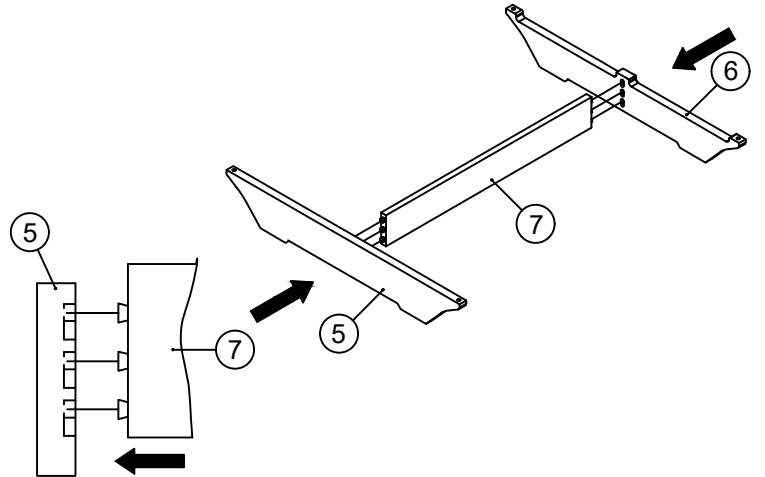
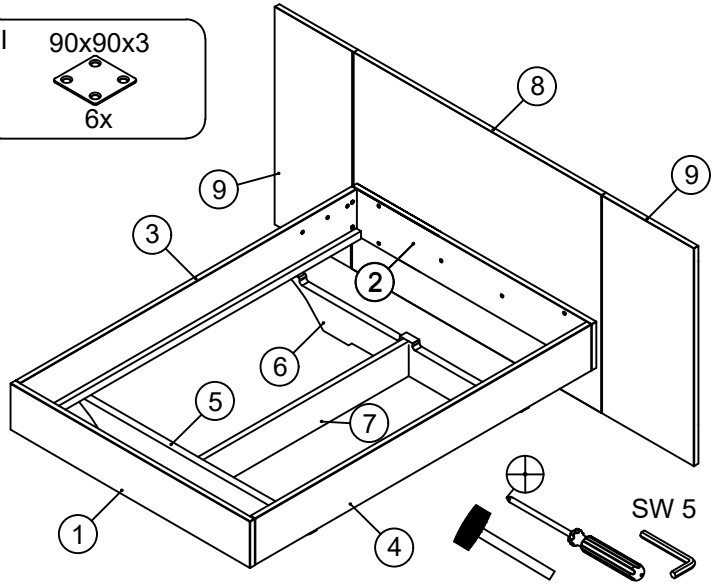
E Ø16x50  
4 x

F Ø10x40  
8 x

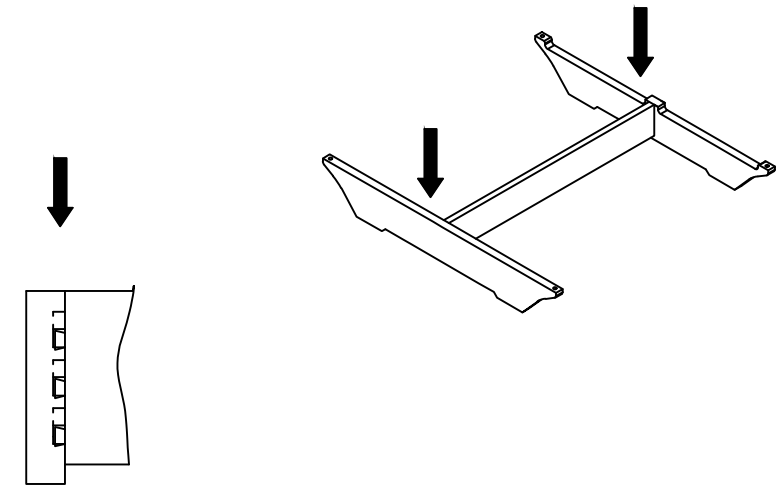
H M8x25  
24x

I 90x90x3  
6x

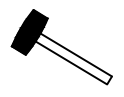
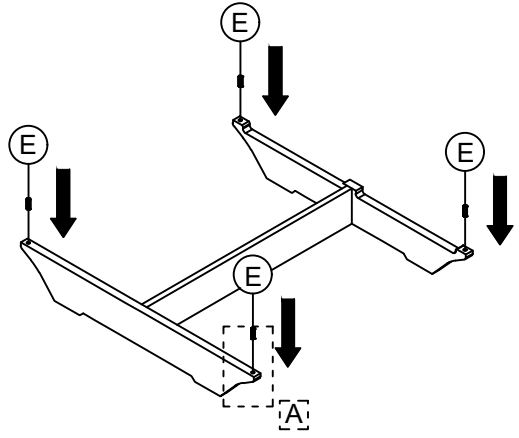
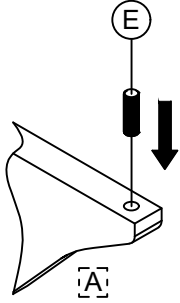
35 min



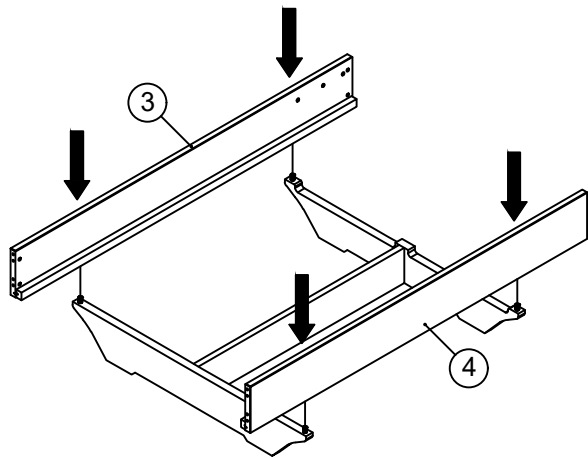
Schwebebett



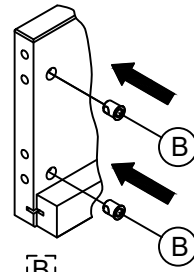
E Ø16x50  
4 x



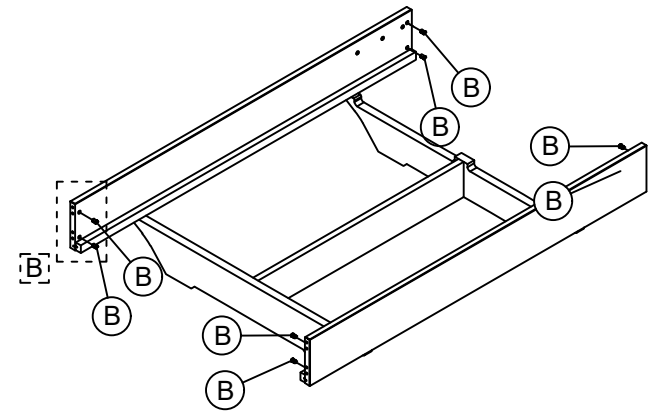
4



B  $\varnothing 14 \times 17$   
8 x



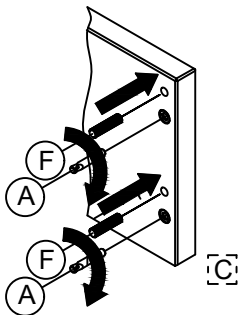
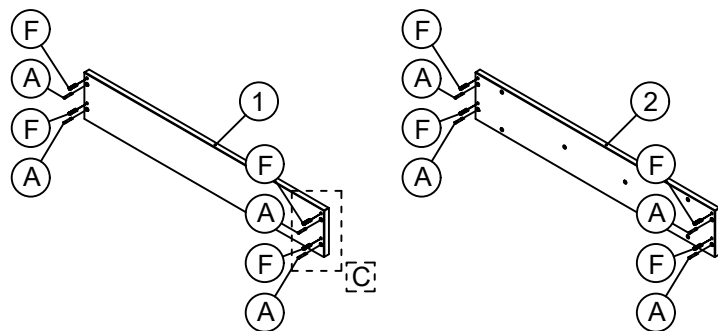
5



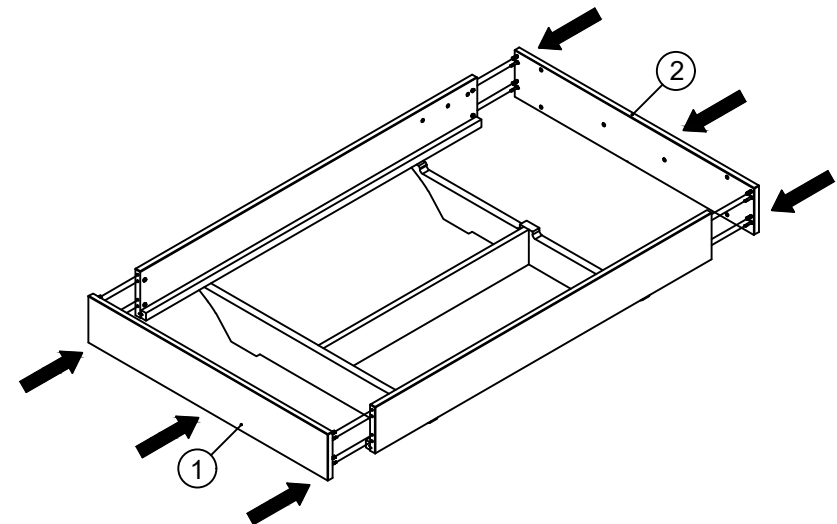
6

A  $\varnothing 8 \times 46$   
8 x

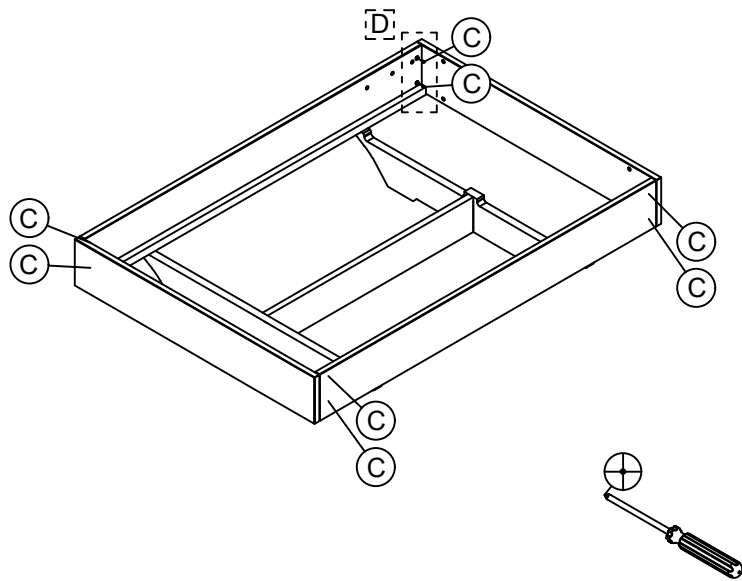
F  $\varnothing 10 \times 40$   
8 x



7

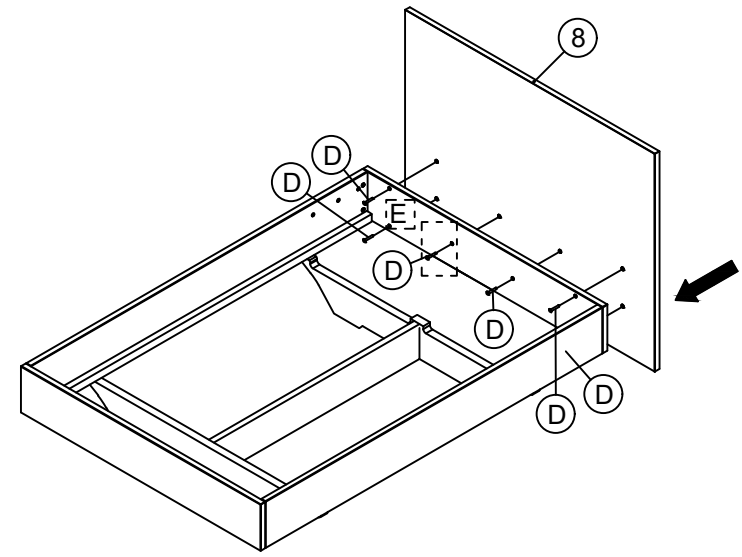
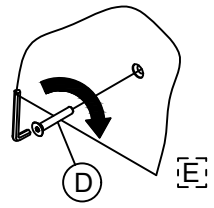


C M8x10  
8 x



8

D M8x50  
6 x

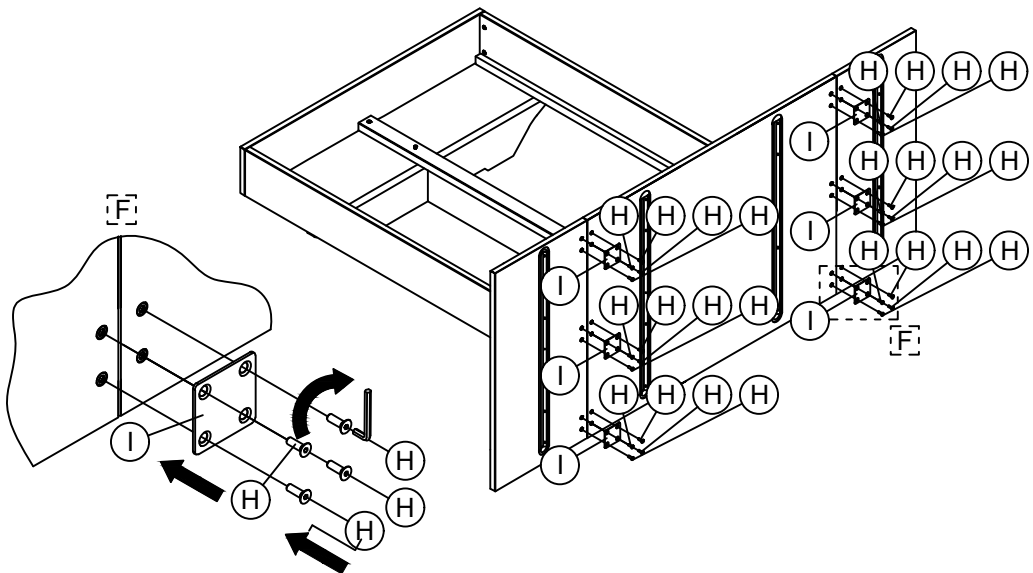


9

SW 5

H M8x25  
24 x

I 90x90x3  
6 x



10

